

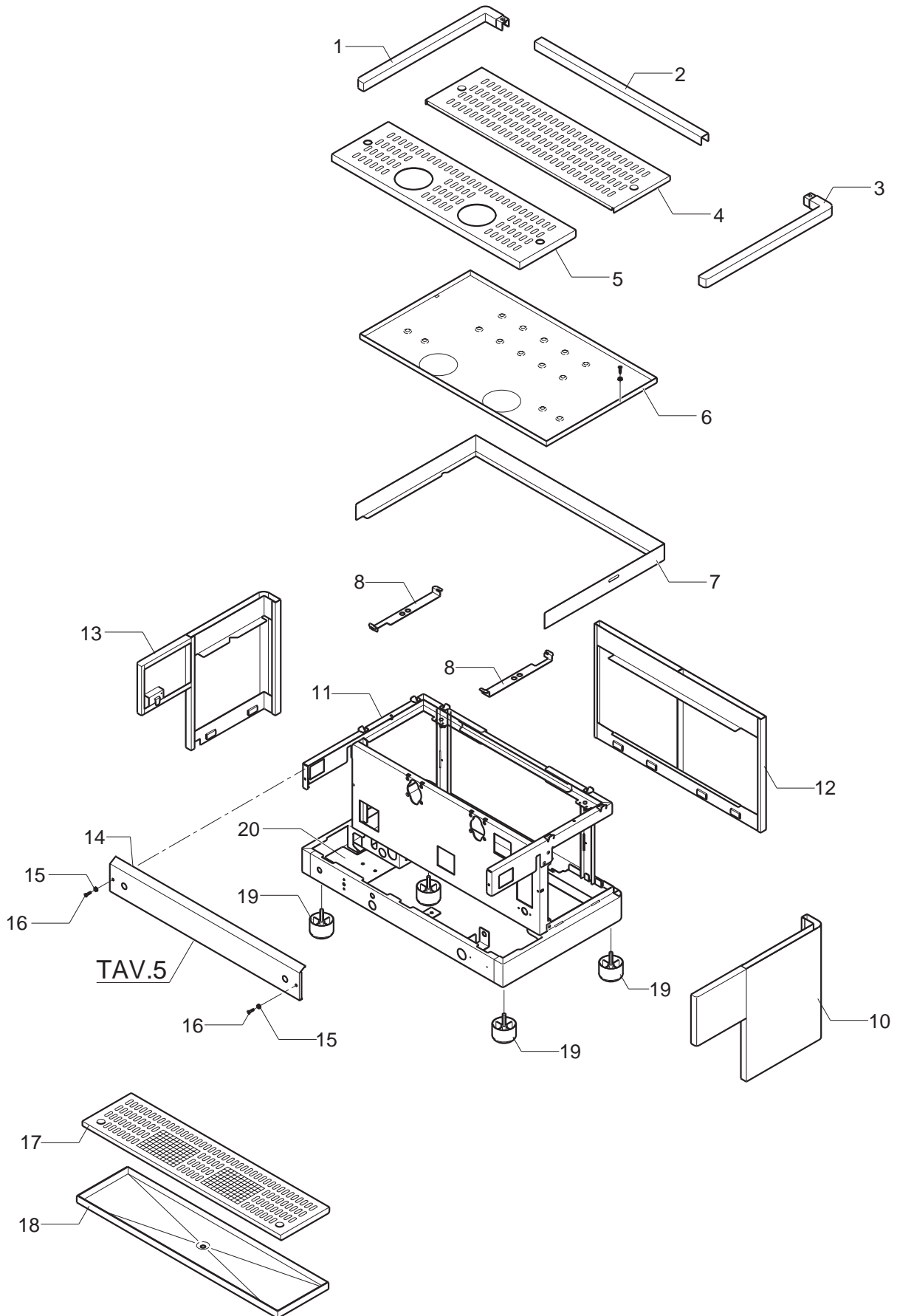


B2000AL up to 04/2006



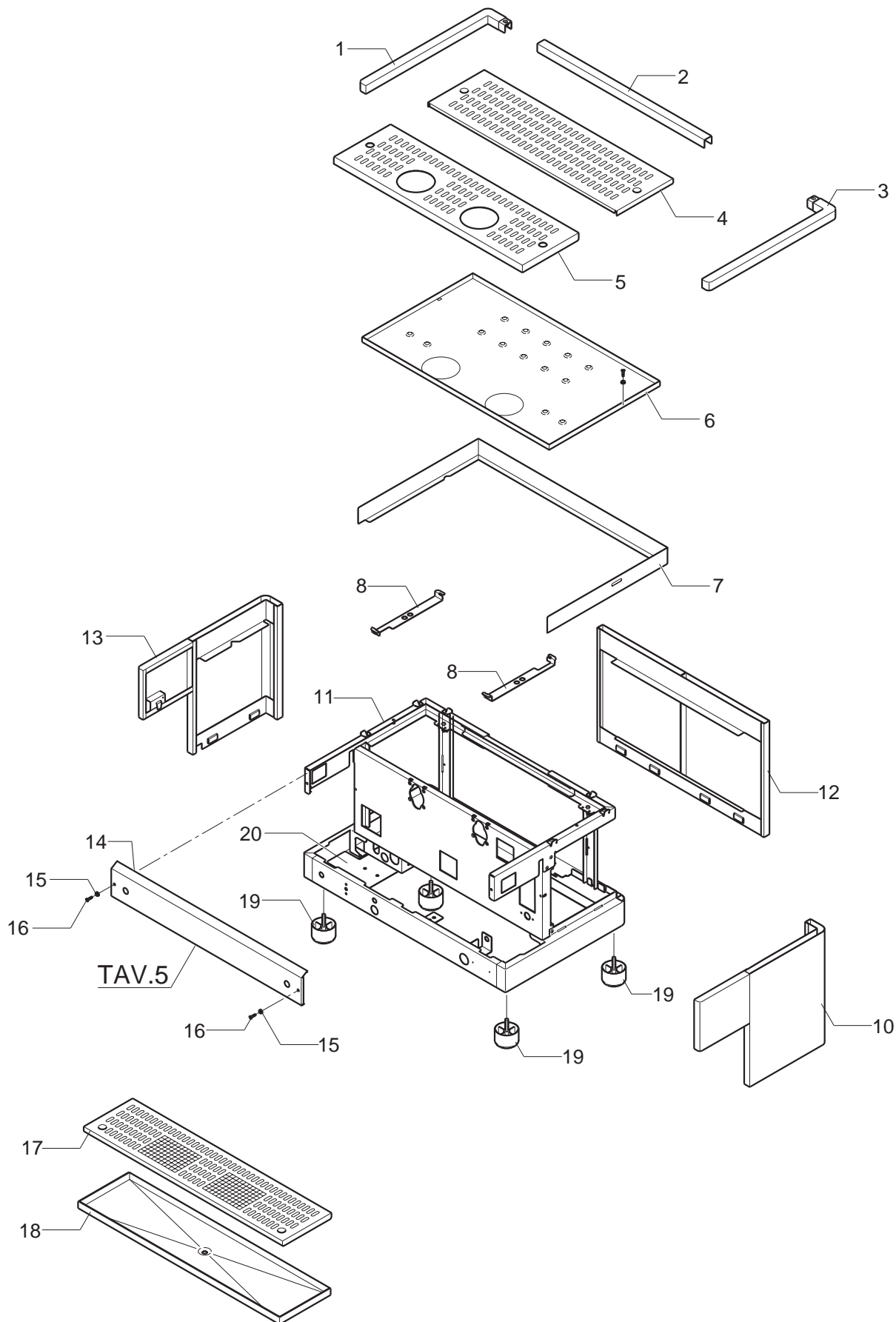


POS	DESCRIPTION	CODE	REFERENCE
01	LEFT CUPS-HEATER FRAME PLASTIC CHROMED.....	5370906.....	-
02	CENTRAL PROFILE 1GR.....	5096007LW.....	-
02	CENTRAL PROFILE 2GR.....	5096008LW.....	-
02	CENTRAL PROFILE 3GR.....	5096009LW.....	-
02	CENTRAL PROFILE 4GR.....	5096010LW.....	-
03	RIGHT FRAME PLASTIC CHROMED.....	5370907.....	-
04	REAR CUPS-HEATER GRID 1GR.....	5074533LW.....	-
04	REAR CUPS-HEATER GRID 2GR.....	5074534LW.....	-
04	REAR CUPS-HEATER GRID 3GR.....	5074535LW.....	-
04	REAR CUPS-HEATER GRID 4GR.....	5074536LW.....	-
05	FRONT CUPS-HEATER GRID 1GR.....	5074537LW.....	-
05	FRONT CUPS-HEATER GRID 1GR + BULK UNIT.....	5074541LW.....	-
05	FRONT CUPS-HEATER GRID 2GR.....	5074538LW.....	-
05	FRONT CUPS-HEATER GRID 2GR + BULK UNIT.....	5074542LW.....	-
05	FRONT CUPS-HEATER GRID 3GR.....	5074539LW.....	-
05	FRONT CUPS-HEATER GRID 3GR + BULK UNIT.....	5074543LW.....	-
05	FRONT CUPS-HEATER GRID 4GR.....	5074540LW.....	-
06	CUPS-HEATER 1GR.....	5056318LW.....	-
06	CUPS-HEATER 1GR + BULK UNIT.....	5056312LW.....	-
06	CUPS-HEATER 2GR.....	5056319LW.....	-
06	CUPS-HEATER 2GR + BULK UNIT.....	5056313LW.....	-
06	CUPS-HEATER 3GR.....	5056320LW.....	-
06	CUPS-HEATER 3GR + BULK UNIT.....	5056314LW.....	-
06	CUPS-HEATER 4GR.....	5056321LW.....	-
07	CUPS-HEATER PROFILE 1GR.....	5076308LW.....	ALB 3037
07	CUPS-HEATER PROFILE 2GR.....	5076307LW.....	ALB 3038
07	CUPS-HEATER PROFILE 3GR.....	5076309LW.....	ALB 3016
07	CUPS-HEATER PROFILE 4GR.....	5076306LW.....	ALB 3039
08	BRACKET FOR BOILER SUPPORT.....	5018104LW.....	-
10	RIGHT LATERAL SIDE SMOOTH BROWN 32310.....	5345529YF.....	-
10	RIGHT LATERAL SIDE SMOOTH STAINLESS STEEL SATINED.....	5345533.....	-
10	RIGHT LATERAL SIDE SMOOTH BLACK.....	5345529VM.....	-
10	RIGHT LATERAL SIDE SMOOTH RED 3000.....	5345529VT.....	-
10	RIGHT LATERAL SIDE SMOOTH RED 3005.....	5345529YA.....	-
11	ASSEMBLY CHASSIS 1GR.....	5345545.....	-
11	ASSEMBLY CHASSIS 2GR.....	5345546.....	-
11	ASSEMBLY CHASSIS 2GR + GAS RG10.....	5345549.....	-
11	ASSEMBLY CHASSIS 2GR + BULK UNIT.....	5345604.....	-
11	ASSEMBLY CHASSIS 3GR.....	5345547.....	-
11	ASSEMBLY CHASSIS 3GR + GAS RG10.....	5345550.....	-
11	ASSEMBLY CHASSIS 4GR.....	5345548.....	-
11	ASSEMBLY CHASSIS 4GR + GAS RG10.....	5345551.....	-
12	CENTRAL PANEL SMOOTH 1GR STAINLESS STEEL SATINED.....	5095117LW.....	-
12	CENTRAL PANEL SMOOTH 2GR STAINLESS STEEL SATINED.....	5095106LW.....	PRT 027
12	CENTRAL PANEL SMOOTH 3GR STAINLESS STEEL SATINED.....	5095216LW.....	-
12	CENTRAL PANEL SMOOTH 4GR STAINLESS STEEL SATINED.....	5095217LW.....	-
12	CENTRAL PANEL SMOOTH 1GR BROWN.....	5015177YF.....	-
12	CENTRAL PANEL SMOOTH 1GR BLACK.....	5015177VM.....	-
12	CENTRAL PANEL SMOOTH 1GR RED 3000.....	5015177VT.....	-
12	CENTRAL PANEL SMOOTH 1GR RED 3005.....	5015177YA.....	-
12	CENTRAL PANEL SMOOTH 2GR BROWN.....	5015106YF.....	-
12	CENTRAL PANEL SMOOTH 2GR BLACK.....	5015106VM.....	-
12	CENTRAL PANEL SMOOTH 2GR RED 3000.....	5015106VT.....	-
12	CENTRAL PANEL SMOOTH 2GR RED 3005.....	5015106YA.....	-
12	CENTRAL PANEL SMOOTH 3GR BROWN.....	5015179YF.....	-
12	CENTRAL PANEL SMOOTH 3GR BLACK.....	5015179VM.....	-
12	CENTRAL PANEL SMOOTH 3GR RED 3000.....	5015179VT.....	-
12	CENTRAL PANEL SMOOTH 3GR RED 3005.....	5015179YA.....	-
12	CENTRAL PANEL SMOOTH 4GR BROWN.....	5015180YF.....	-
12	CENTRAL PANEL SMOOTH 4GR BLACK.....	5015180VM.....	-
12	CENTRAL PANEL SMOOTH 4GR RED 3000.....	5015180VT.....	-
12	CENTRAL PANEL SMOOTH 4GR RED 3005.....	5015180YA.....	-



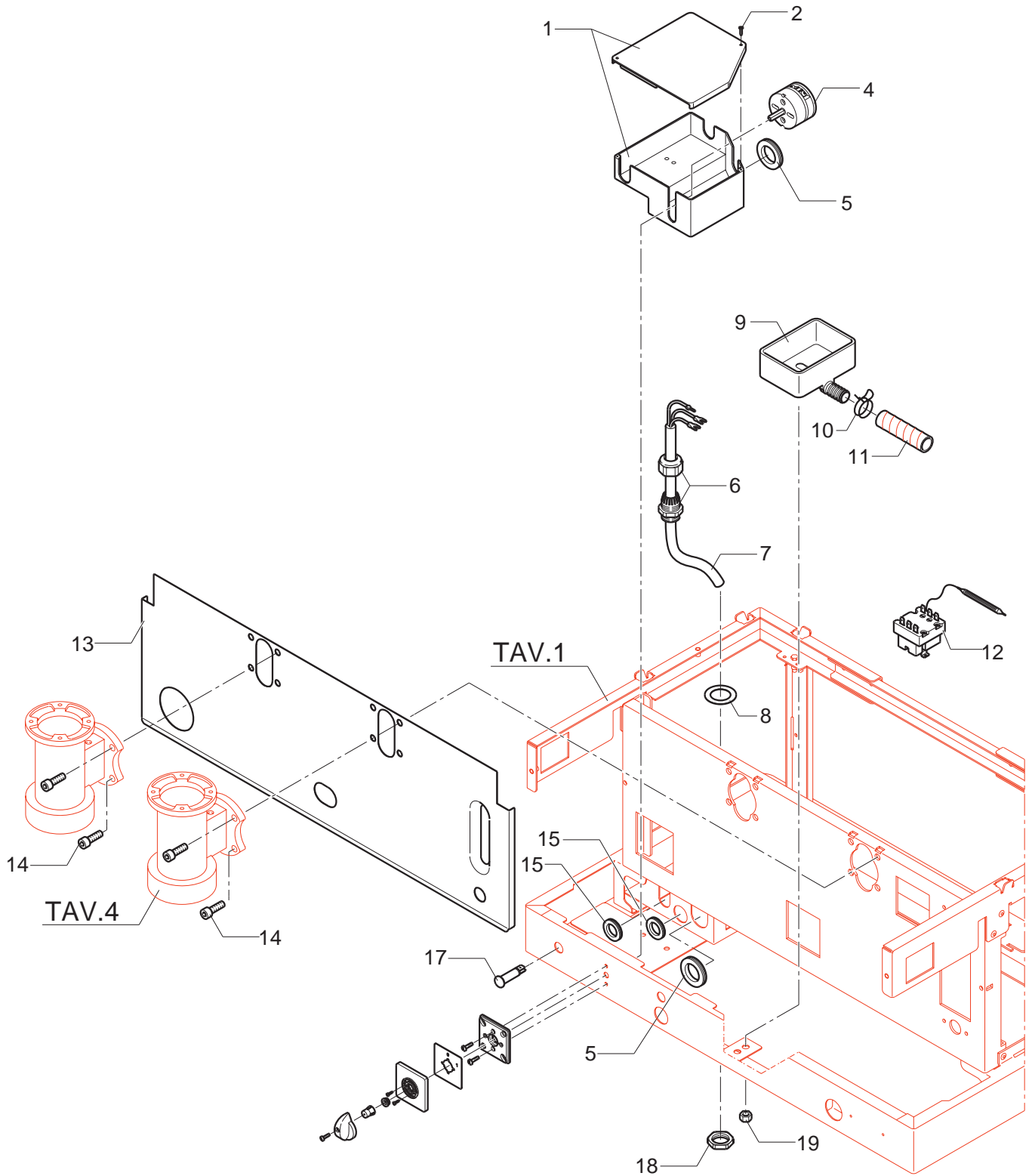


POS	DESCRIPTION	CODE	REFERENCE
13	LEFT LATERAL SIDE BROWN 32310.....	5345531YF.....	-
13	LEFT LATERAL SIDE STAINLESS STEEL SATINED.....	5345535.....	-
13	LEFT LATERAL SIDE BLACK.....	5345531VM.....	-
13	LEFT LATERAL SIDE RED 3000.....	5345531VT.....	-
13	LEFT LATERAL SIDE RED 3005.....	5345531YA.....	-
14	WORKING FRONTAL PANEL 1GR.....	5074215LW.....	ALB 3034
14	WORKING FRONTAL PANEL 1GR + BULK UNIT.....	5074223LW.....	ALB 3083
14	WORKING FRONTAL PANEL 2GR.....	5074216LW.....	ALB 3035
14	WORKING FRONTAL PANEL 2GR + BULK UNIT.....	5074224LW.....	ALB 3084
14	WORKING FRONTAL PANEL 3GR.....	5074217LW.....	ALB 3001
14	WORKING FRONTAL PANEL 3GR + BULK UNIT.....	5074225LW.....	ALB 3085
14	WORKING FRONTAL PANEL 4GR.....	5074218LW.....	ALB 3036
15	WASHER FOR SPRING D4 H3 OT NICKEL-PLATED.....	5221846.....	N 1221
16	SCREW TPS M4 X 16.....	7817801.....	F 1599
17	DRAIN GRID 1GR.....	5074551LW.....	-
17	DRAIN GRID 1GR + BULK UNIT.....	5074555LW.....	-
17	DRAIN GRID 2GR.....	5074552LW.....	-
17	DRAIN GRID 2GR + BULK UNIT.....	5074556LW.....	-
17	DRAIN GRID 3GR.....	5074553LW.....	-
17	DRAIN GRID 3GR + BULK UNIT.....	5074557LW.....	-
17	DRAIN GRID 4GR.....	5074554LW.....	-
18	DRIP TRAY 1GR POLISHED.....	5070611LL.....	-
18	DRIP TRAY 2GR COMPACT POLISHED.....	5070612LL.....	-
18	DRIP TRAY 3GR COMPACT POLISHED.....	5070613LL.....	-
18	DRIP TRAY 4GR COMPACT POLISHED.....	5070614LL.....	-
19	GREY.....	7474210.....	-
20	ELECTRIC BOX SUPPORT.....	5038406LL.....	-
21	ASSEMBLY BODY SMOOTH 1GR BROWN.....	5971528YF.....	-
21	ASSEMBLY BODY SMOOTH 1GR BLACK.....	5971528VM.....	-
21	ASSEMBLY BODY SMOOTH 1GR RED 3000.....	5971528VT.....	-
21	ASSEMBLY BODY SMOOTH 1GR RED 3005.....	5971528YA.....	-
21	ASSEMBLY BODY SMOOTH 2GR BROWN.....	5971531YF.....	-
21	ASSEMBLY BODY SMOOTH 2GR BLACK.....	5971531VM.....	-
21	ASSEMBLY BODY SMOOTH 2GR RED 3000.....	5971531VT.....	-
21	ASSEMBLY BODY SMOOTH 2GR RED 3005.....	5971531YA.....	-
21	ASSEMBLY BODY SMOOTH 3GR BROWN.....	5971534YF.....	-
21	ASSEMBLY BODY SMOOTH 3GR BLACK.....	5971534VM.....	-
21	ASSEMBLY BODY SMOOTH 3GR RED 3000.....	5971534VT.....	-
21	ASSEMBLY BODY SMOOTH 3GR RED 3005.....	5971534YA.....	-
21	ASSEMBLY BODY SMOOTH 4GR BROWN.....	5971537YF.....	-
21	ASSEMBLY BODY SMOOTH 4GR BLACK.....	5971537VM.....	-
21	ASSEMBLY BODY SMOOTH 4GR RED 3000.....	5971537VT.....	-
21	ASSEMBLY BODY SMOOTH 4GR RED 3005.....	5971537YA.....	-



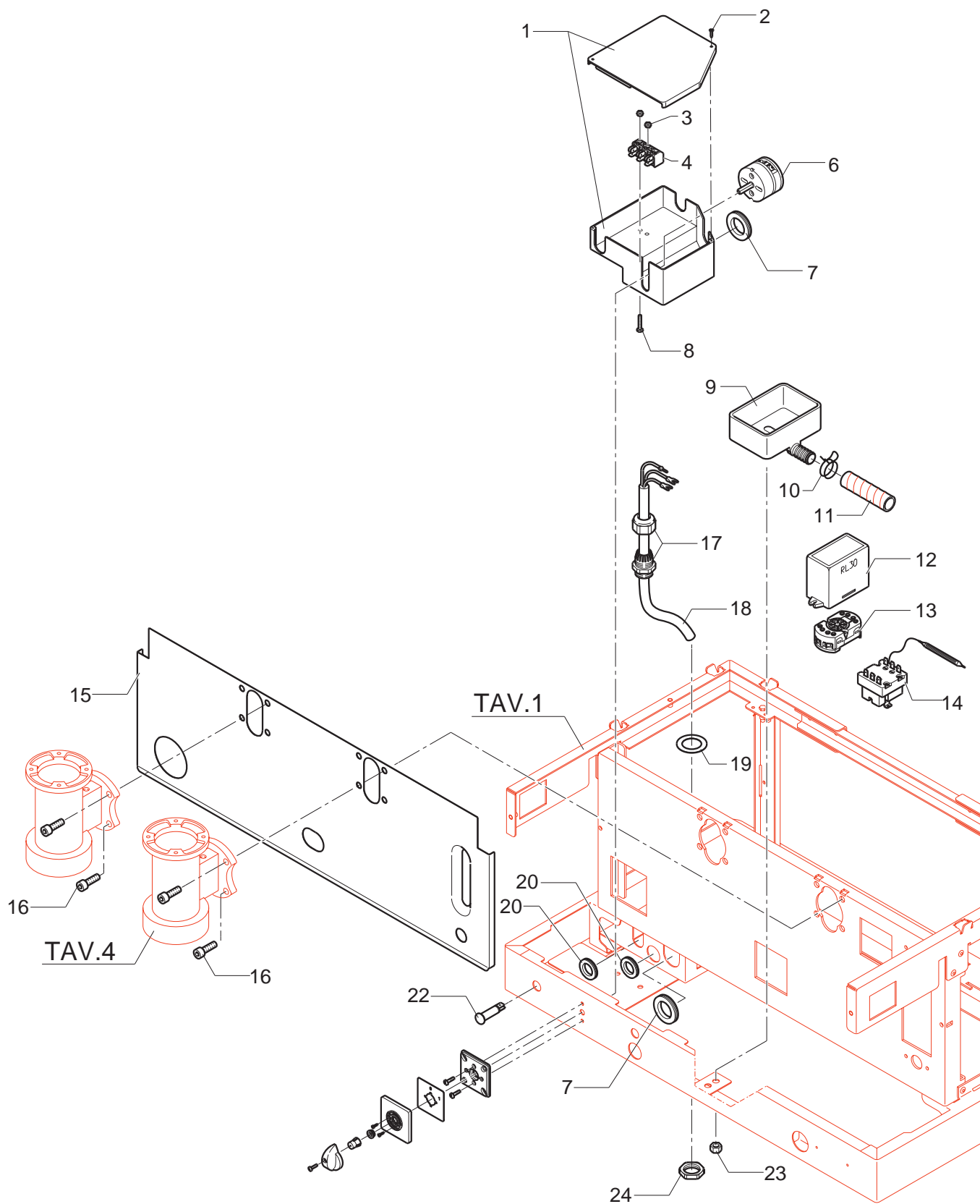


POS	DESCRIPTION	CODE	REFERENCE
01	ELECTRIC SYSTEM BOX	5373302.....	J 143
02	TAPPING SCREW TPS D2.9X9.5 UNI 6952 A2	7819402.....	F 841
04	BASEMENT SWITCH 1 POS.25A	7633306.....	V 1584
04	BASEMENT SWITCH 1 POSITION THREE-PHASE.....	7633315.....	V 1585
04	BASEMENT SWITCH 2 POSITIONS 4 CONTACTS	7633305.....	V 1591
04	BASEMENT SWITCH 2 POSITIONS 6 CONTACTS	7633311.....	V 1594
05	FAIRLEAD P63 RUBBER.....	7613001.....	J 221
06	CABLE-PRESS PG16 POLYAMIDE.....	7614001.....	J 486
06	CABLE-PRESS PG21 POLYAMIDE.....	7614002.....	J 488
07	CONNECTING CABLE H07RNF 3X2,5 MM^2 L=2MT (1-2GR 220/240V)	3552401.....	-
07	CONNECTING CABLE 3X2,5MM^2 L=2,2MT (1-2GR 220V-240V NO "CE")	3552402.....	-
07	CONNECTING CABLE 3X4 MM^2 L=3,2MT (3-4GR 220V-240V NO "CE")	3552702.....	-
07	CONNECTING CABLE H07RNF 3X4 MM^2 L=3MT (3-4GR 220V-240V)	3552703.....	-
07	CABLE SOOW 3X10AWG L=2,2MT (110V-220V USA).....	3556003.....	-
07	CONNECTING CABLE SJTO 3X12 AWG L=2MT (1GR 110V-220V USA)	3551501.....	-
08	FAIRLEAD WASHER D40 X 25 X 1 AISI 304	5999904.....	B40GLS16
09	DRIP TRAY WITH SCREW	5373602.....	F 1209
10	CLAMP D22 FE.....	7611501.....	F 1266
11	HOSE D22 L=2MT PLASTIC	7303501.....	F 1299
12	THERMOSTAT MANUAL.....	7434001.....	U/6 2346
13	GROUP FRONTAL 1GR	5074210LW.....	ALB 3031
13	GROUP FRONTAL 1GR + GAS.....	5074211LW.....	ALB 3031G
13	GROUP FRONTAL 1GR + BULK UNIT.....	5074229LW.....	ALB 3086
13	GROUP FRONTAL 2GR	5074212LW.....	ALB 3032
13	GROUP FRONTAL 2GR + BULK UNIT.....	5074230LW.....	ALB 3087
13	GROUP FRONTAL 3GR	5074213LW.....	ALB 3006
13	GROUP FRONTAL 3GR + BULK UNIT.....	5074231LW.....	ALB 3088
13	GROUP FRONTAL 4GR	5074214LW.....	ALB 3033
14	SCREW TCEI M8X25 UNI 5931 A2.....	7816015.....	A 116B
15	FAIRLEAD WITH HOLE RUBBER	7613004.....	J 220
17	ORANGE LAMP 110V	7633607.....	T 1482/110
17	ORANGE LAMP 220/240V	7633609.....	T 1482/220
18	NUT PG16 POLYAMIDE.....	7614003.....	J 487
18	NUT PG21 POLYAMIDE.....	7614004.....	J 489
19	NUT M6 UNI 5587 OT.....	7821403.....	F 992



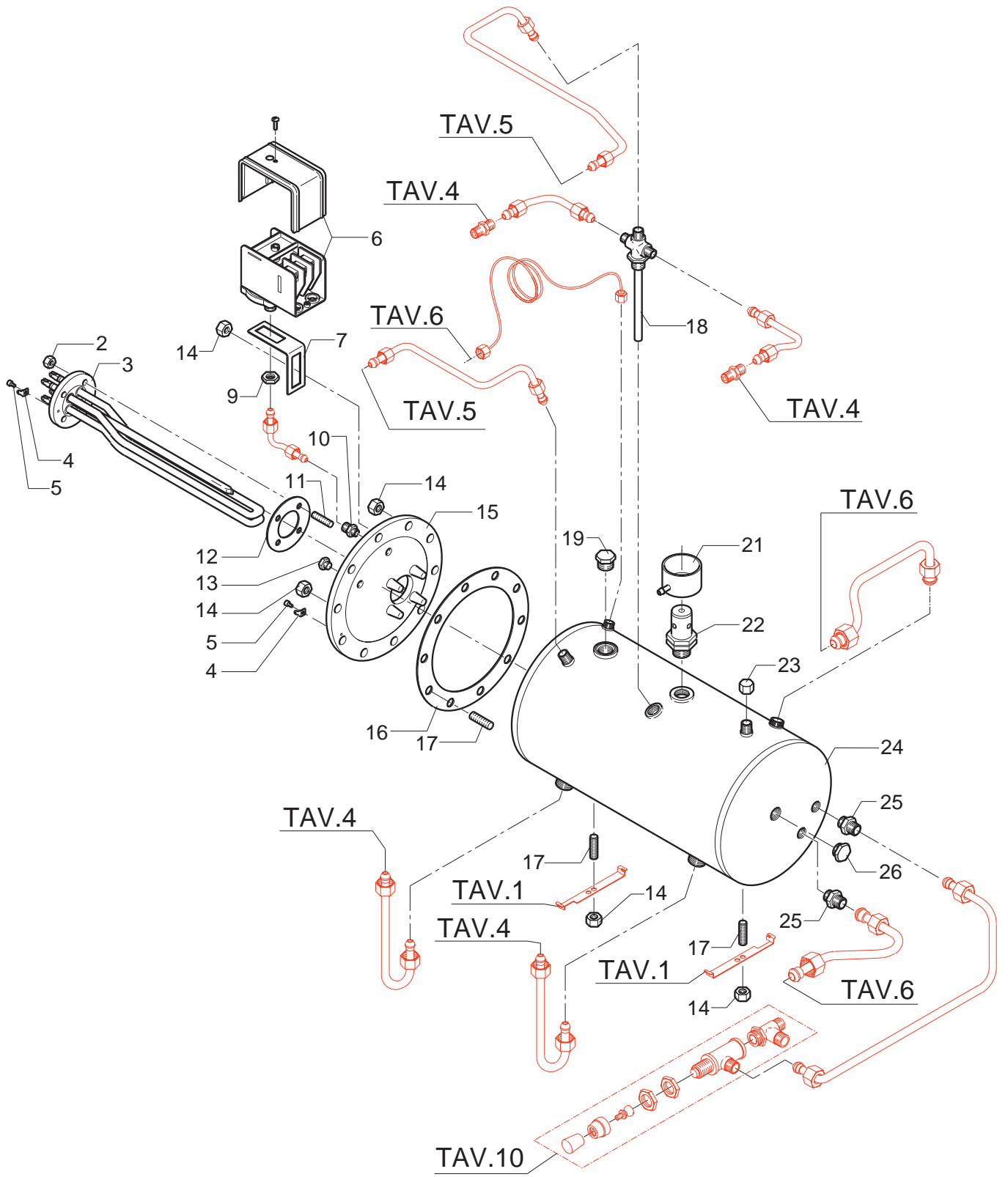


POS	DESCRIPTION	CODE	REFERENCE
01	ELECTRIC SYSTEM BOX	5373302.....	J 143
02	TAPPING SCREW TPS D2.9X9.5 UNI 6952 A2	7819402.....	F 841
03	NUT M4 NYLON	5195001.....	F 1360
04	CLAMP 3 CONTACTS KL24/3	7612503.....	J 495
06	BASEMENT SWITCH 1 POS.25A	7633306.....	V 1584
06	BASEMENT SWITCH 1 POSITION THREE-PHASE	7633315.....	V 1585
06	BASEMENT SWITCH 2 POSITIONS 4 CONTACTS	7633305.....	V 1591
06	BASEMENT SWITCH 2 POSITIONS 6 CONTACTS	7633311.....	V 1594
07	FAIRLEAD P63 RUBBER.....	7613001.....	J 221
08	SCREW TE M4X35 UNI 5739 OT	7826403.....	F 1362
09	DRIP TRAY WITH SCREW	5373602.....	F 1209
10	CLAMP D22 FE	7611501.....	F 1266
11	HOSE D22 L=2MT PLASTIC	7303501.....	F 1299
12	LEVEL REGULATOR RL30/1E2C8 110V	7661026.....	Y 2260/110
12	LEVEL REGULATOR RL30/1E2C8 220/240V	7661025.....	Y 2260/220-240
13	CONTROL BOX SOCLE	7635415.....	Y 2261
14	THERMOSTAT MANUAL.....	7434001.....	U/6 2346
15	GROUP FRONTAL 1GR	5074210LW.....	ALB 3031
15	GROUP FRONTAL 1GR + GAS.....	5074211LW.....	ALB 3031G
15	GROUP FRONTAL 1GR + BULK UNIT.....	5074229LW.....	ALB 3086
15	GROUP FRONTAL 2GR	5074212LW.....	ALB 3032
15	GROUP FRONTAL 2GR + BULK UNIT.....	5074230LW.....	ALB 3087
15	GROUP FRONTAL 3GR	5074213LW.....	ALB 3006
15	GROUP FRONTAL 3GR + BULK UNIT.....	5074231LW.....	ALB 3088
15	GROUP FRONTAL 4GR	5074214LW.....	ALB 3033
16	SCREW TCEI M8X25 UNI 5931 A2	7816015.....	A 116B
17	CABLE-PRESS PG16 POLYAMIDE	7614001.....	J 486
17	CABLE-PRESS PG21 POLYAMIDE	7614002.....	J 488
18	CONNECTING CABLE H07RNF 3X2,5 MM ² L=2MT (1-2GR 220/240V)	3552401.....	-
18	CONNECTING CABLE 3X2,5MM ² L=2,2MT (1-2GR 220V-240V NO "CE")	3552402.....	-
18	CONNECTING CABLE 3X4 MM ² L=3,2MT (3-4GR 220V-240V NO "CE")	3552702.....	-
18	CONNECTING CABLE H07RNF 3X4 MM ² L=3MT (3-4GR 220V-240V)	3552703.....	-
18	CONNECTING CABLE SJTO 3X10 AWG L=3MT (2-3-4GR 110V-220V USA).....	3556002.....	-
18	CONNECTING CABLE SJTO 3X12 AWG L=2MT (1GR 110V-220V USA)	3551501.....	-
19	FAIRLEAD WASHER D40 X 25 X 1 AISI 304	5999904.....	B40GLS16
20	FAIRLEAD WITH HOLE RUBBER	7613004.....	J 220
22	ORANGE LAMP 110V	7633607.....	T 1482/110
22	ORANGE LAMP 220/240V	7633609.....	T 1482/220
23	NUT M6 UNI 5587 OT.....	7821403.....	F 992
24	NUT PG16 POLYAMIDE.....	7614003.....	J 487
24	NUT PG21 POLYAMIDE.....	7614004.....	J 489



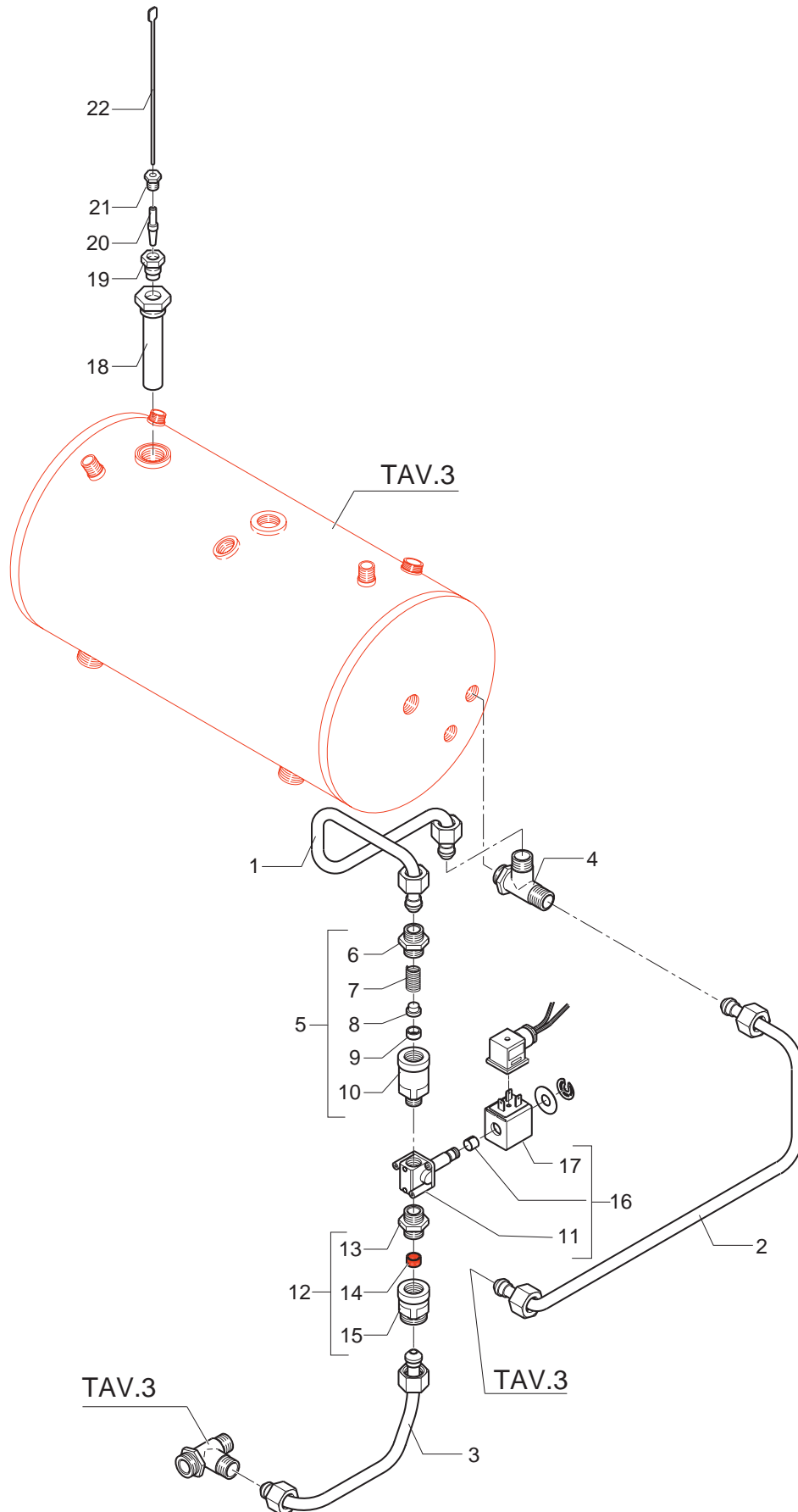


POS	DESCRIPTION	CODE	REFERENCE
02	NUT M8 UNI 5587 ASTM A194	7812607	-
03	HEATING ELEMENT 1GR 1400W 110/120V.....	5721114.....	T/12 1561/110
03	HEATING ELEMENT 1GR 2000W 220/230V.....	5722220.....	T/12 1561/220
03	HEATING ELEMENT 1GR 2000W 240V.....	5722416.....	T/12 1561/240
03	HEATING ELEMENT 2GR 2600W 110/120V.....	5721115.....	T/12 1562/110
03	HEATING ELEMENT 2GR 3000W 220/230V.....	5722221.....	T/12 1562/220
03	HEATING ELEMENT 2GR 3000W 240V.....	5722417.....	T/12 1562/240
03	HEATING ELEMENT 2GR 3500W 220/230V (SPECIAL NOT CE)	5722224.....	T/12 1563/220
03	HEATING ELEMENT 2GR 3500W 240V(SPECIAL NOT CE)	5722423.....	T/12 1563/240
03	HEATING ELEMENT 3-4GR 3000W 110/120V	5721116.....	T/12 1564/110
03	HEATING ELEMENT 3-4GR 5000W 220/230V	5722222.....	T/12 1564/220
03	HEATING ELEMENT 3-4GR 5000W 240V	5722419.....	T/12 1564/240
04	FASTON 45° HOLE D5.3	7615001	J 722
05	SCREW TCI M4X6 UNI 6107 OT	7826212.....	F 1219
06	PRESSOSTAT SIRAI P302/6	7433001	U/5 2343
07	SQUARE FRO PRESSOSTAT	5017814LW.....	B 3026
09	NUT 1/4"G H5 OT	5221821	T 1498
10	STRAIGHT FITTING M12 X M10 OT.....	5302010.....	F 683
11	TIE ROD M8 X 31 ASTM A193.....	5267013.....	F 980
12	GASKET D76 X 39 X 2 ASBESTOS FREE	5492006.....	T 1493
13	PLUG M10 H12 OT	5226404.....	F 682
14	NUT M10 UNI 5587 ASTM A194	7812608.....	-
15	BOILER FLANDE D205 OT	5283502.....	W 2152
16	GASKET D203 X 151 X 2 ASBESTOS FREE	5492005.....	J 57A
17	TIE ROD M10 X 33 ASTM A193.....	5267012.....	-
18	COMPLETE WATER SUCTION HOSE L=120MM.....	5301003LL.....	-
19	PLUG 1/2"G H18 OT	5226406.....	W/8 2225
21	COMPLETE CUP	5963047	-
22	ASSEMBLY SAFETY VALVE 1.5 BAR	5965015.....	R/3 1403
23	CAP NUT M13 X 1	5221840.....	F 639/B
24	ASSEMBLY BOILER 1GR. POLISHED.....	5320507BL	-
24	ASSEMBLY BOILER 2GR. POLISHED.....	5321003BL	-
24	ASSEMBLY BOILER 3GR. POLISHED.....	5321503BL	-
24	ASSEMBLY BOILER 4GR. POLISHED.....	5322002BL	-
25	STRAIGHT FITTING 3/8"G	5302011	F 645
26	PLUG 3/8"G	5226403.....	F 643





POS	DESCRIPTION	CODE	REFERENCE
01	OUTLET HOSE L/A	5164041LL.....	06.16.00.196
02	BOILER LOAD HOSE	5164042LL.....	06.16.00.093
03	INLET AUTOMATIC LEVEL HOSE	5164043LL.....	06.16.00.078
04	FITTING 3/8" G OT	5300505.....	F 1309
05	ASSEMBLY COMPLETE CHECK VALVE	5965013.....	Y/P 2278
06	STRAIGHT FITTING 3/8" G OT	5302037.....	P 1315
07	CHECK VALVE SPRING AISI 302	5471518.....	P 1314
08	GASKET-HOLDER D14.5 X 12 OT	5224604.....	P 1313
09	GASKET D12 X 5 NBR 70SH	5493011.....	P 1312
10	CHECK VALVE BODY	5283028.....	Y/P 2273
11	SOLENOID VALVE WITHOUT COIL	7703009.....	-
12	ASSEMBLY FILTER HOLE D1,5 COMPLETE	5965040.....	Y 2272M
13	FITTING 3/8" X 1/8" G	5288005.....	F 900M
14	FILTER D13.5 H11 AISI 304	5471002.....	A 113
15	FILTER-HOLDER BODY	5286005.....	F 899
16	SOLENOID VALVE 110V SIRAI	7701109.....	-
16	SOLENOID VALVE SIRAI 220/230V	7702308.....	-
16	SOLENOID VALVE 240V SIRAI	7702408.....	-
17	SOLENOID VALVE COIL V110	7630301.....	Y/3 2371-110
17	SOLENOID VALVE COIL 220/230V	7630303.....	Y/3 2371-230
17	SOLENOID VALVE COIL V240	7630304.....	Y/3 2371-240
18	ASSEMBLY PROBE-HOLDER	5329009DC.....	-
19	STRAIGHT FITTING 1/4" G X M10 OT	5225209.....	Y 2257/3
20	PROBE SHEATH D8 X 45 HOLE D3 PTFE	5192001.....	Y/5 2383/A
21	STRAIGHT FITTING M10 OT	5225205.....	Y 2257/2
22	LEVEL PROBE 1GR D3 X 110 X 6.3.....	5265804.....	Y/10 2394

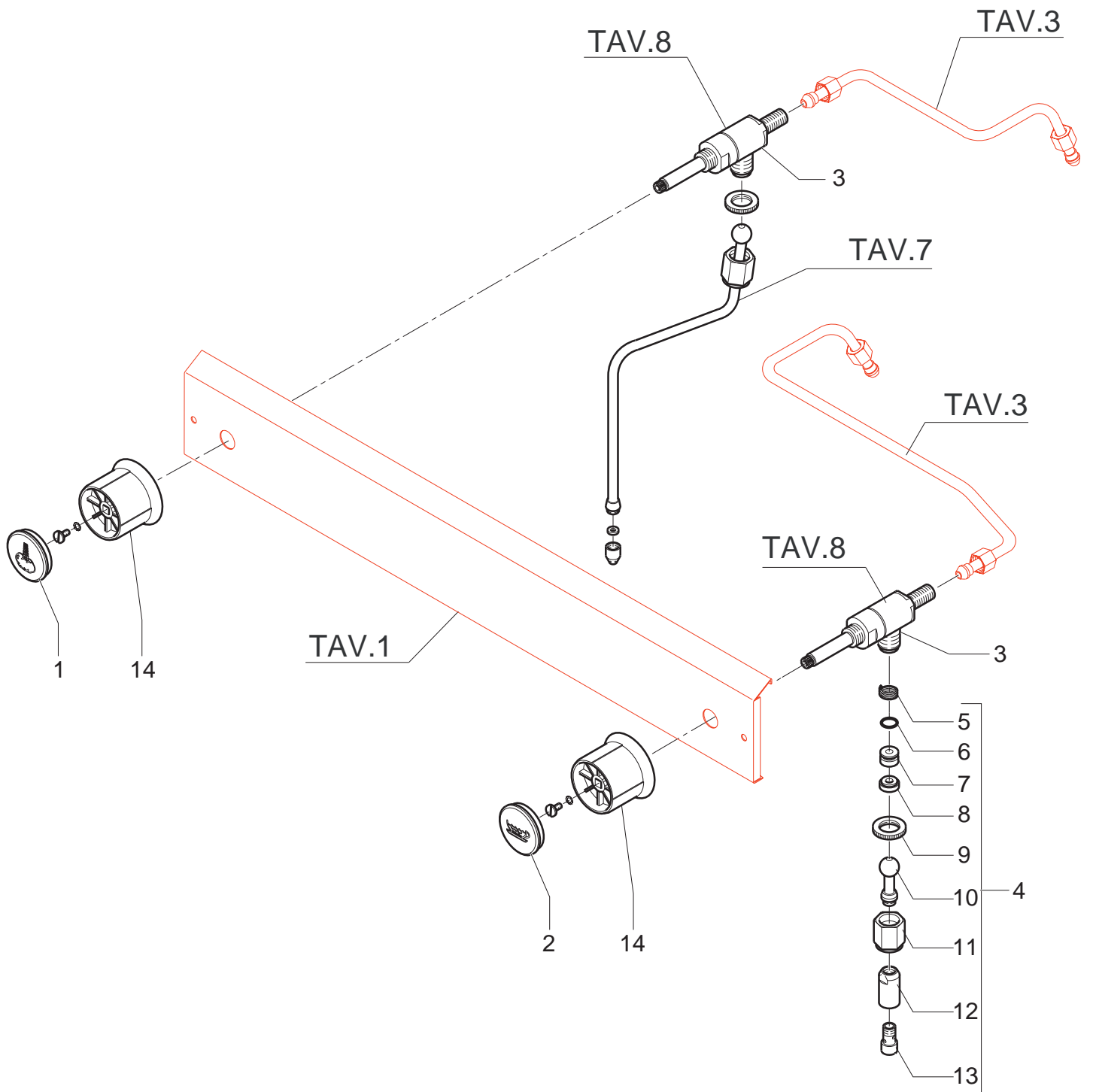




POS	DESCRIPTION	CODE	REFERENCE
01	SCREW TCEI M8X16 UNI 5931 8.8 (OLD)	7806013	F 623
02	FAN WASHER D10 R150 ZINC PLATED (OLD)	7804001	GB/2 805
03	KNOB D30 (OLD)	5371808	GB/2 803
03	FILTER-HOLDER KNOB (NEW)	7371502	H 839
04	LEVER L=235 MM ES.22 AVP CHROMED (OLD)	5263201CM	GB/2 802
04	CHROMED LEVER (NEW)	5263202CM	-
05	LEVER GROUP CAP	5370601	GB/2 801
06	SCREW TCS M5X8 DIN 964 A2	7817401	GB/1 784
07	RING D9 UNI 7434 R150	7800601	GB/1 781
08	BALL BEARING D35 X 10 X 11	7471801	GB/1 782
09	STUD D11 X 61 PR80	5244006	GB/1 786
10	STUD D9 X 29 CARBONITRIDED	5244007CN	GB/1 785CN
11	STRAIGHT FITTING 1/4"G X M13 OT	5302001	F 895
11	STRAIGHT FITTING 1/4" X 1/2"G OT	5225202	F 1187
11	STRAIGHT FITTING 1/4" X 3/8"G OT	5225201	F 1038
12	ARTICULATION M16 OT NICKEL-PLATED	5287001.01NC	-
13	GROUP FORK OT NICKEL-PLATED	5284501.01NC	GB/2 789
14	UPPER VIBRATION DAMPER	5473001	GB/2 787
15	BEARING SLIDE HEAD OT	5287502	GB/2 790
16	BOTTOM VIBRATION DAMPER	5473002.01	-
17	SPRING D46 X 130	5471502	GB/2 791
18	SHAFT D20X 139 AISI 303	5260201	GB/2 806
19	PISTON D50 OT	5224201	GB/2 807
20	LIP SEAL D51 X 41 X 8 NBR 75SH	7491001	GB/4 797
21	SCREW TCEI M4X16	7816004	GB/1 783
22	PLUG 1/8"G OT CHROMED	5226402CM	-
24	NUT M8 UNI 5587 OT	7821401	F 957
25	UNION ELBOW 1/4"G X 1/2"G OT	5301502	F 1189
25	UNION ELBOW 1/4"G X 3/8"G OT	5301501	F 896
26	DELIVERY GROUP BODY POLISHED CHROMED	5283009CM	GB/4 814
27	OR GASKET 160 NBR 75SH	7496011	A 117N
27	OR GASKET 160 VITON 80SH	7496029	A 117V
28	SHOWER D60 AISI 304	5470502	GB/2 795
29	ASSEMBLY GROUP	5963537.02	-
30	SCREW TCEI M8X25 UNI 5931 A2	7816015	A 116B

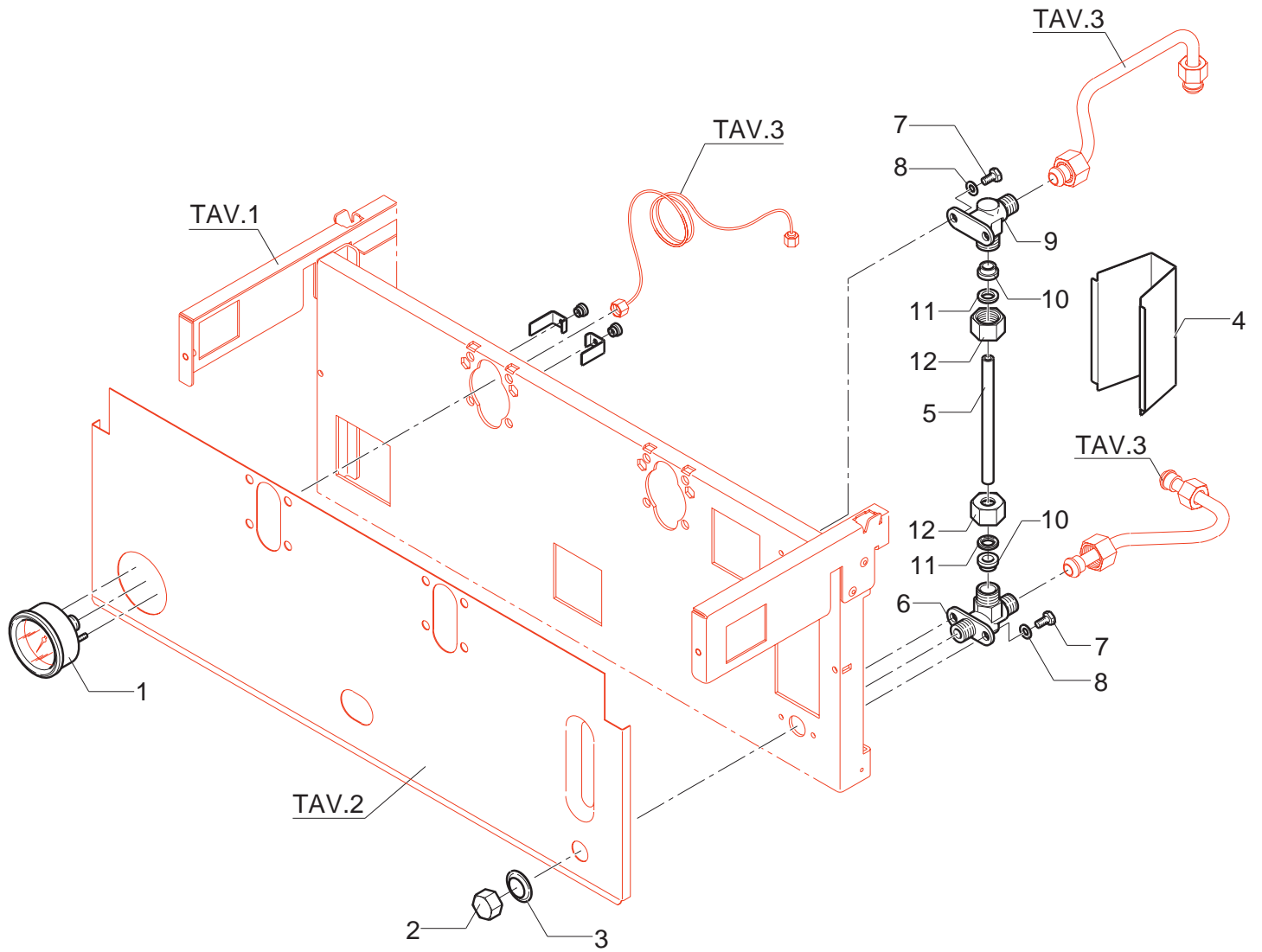


POS	DESCRIPTION	CODE	REFERENCE
01	STEAM PLUG	5373905.....	M/5 2435
02	WATER PLUG	5373906.....	M/5 2436
03	ASSEMBLY WATER TAP	5974006.....	M/5 2437/A
03	ASSEMBLY STEAM TAP	5974005.....	M/5 2437/V
04	ASSEMBLY COMPLETE WATER HOSE	5966506.....	O/10 2523A
05	SPRING D14 AISI 302	5471504.....	O/6 2500
06	OR GASKET 112 EPDM 70SH	7496076.....	-
07	GASKET-HOLDER D14.7 X 10.5 OT	5224605.....	O/6 2502
08	GASKET D16X6X6 PTFE GRAPHITIZED	5494002.....	O/6 2503
09	RING NUT M18	5222801.....	O/1 1251G
10	WATER HOSE L=44MM CHROMED	5225603CM.....	O/9 2521/A
11	NUT M18 NICKEL-PLATED	5221871NC.....	-
12	WATER TERMINAL CHROMED	5226605CM.....	O/1 1255
13	FITTING M10 OT	5225250.....	O/1 1256
14	KNOB D48	5371803.....	-



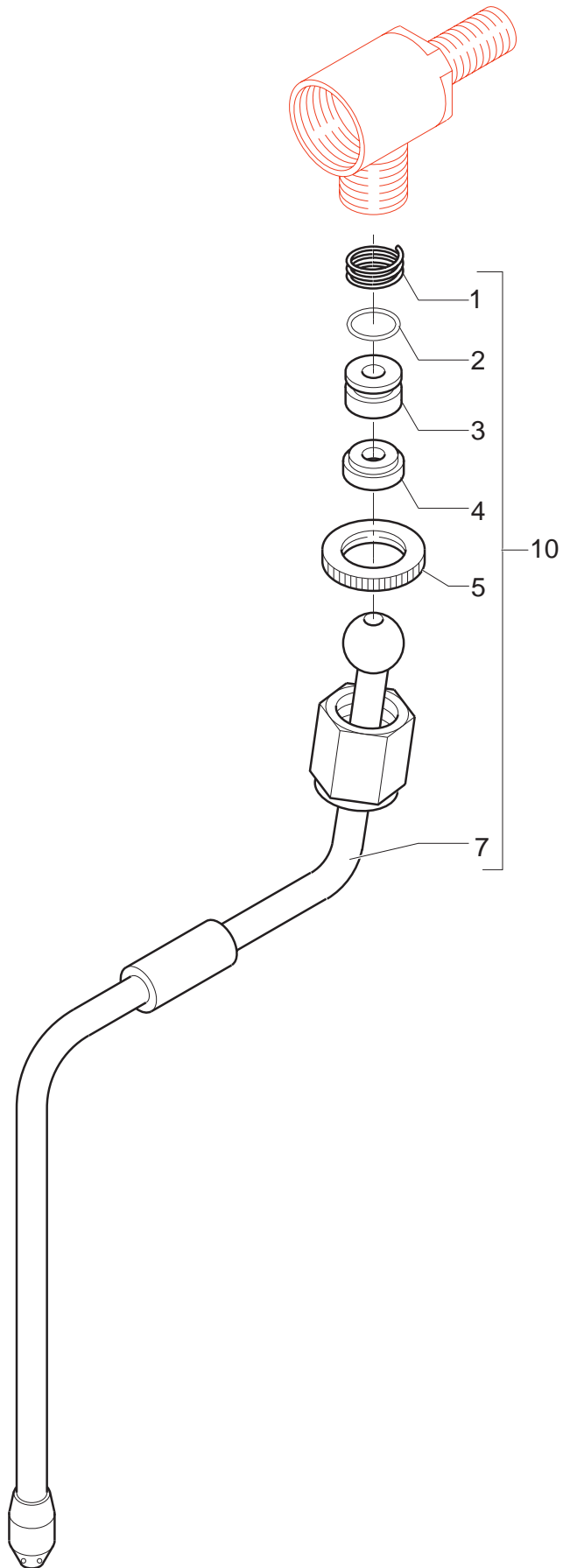


POS	DESCRIPTION	CODE	REFERENCE
01	PRESSURE GAUGE 3 BAR	7432507	U 1541
02	CAP NUT 3/8" G ES.22 H13 OT CHROMED	5221819CM	S 1419
03	GASKET D15X3 ASBESTOS FREE	5492011	F 730
04	GLASS-LEVEL COVER	5053004LW	-
05	GLASS-LEVEL HOSE D10 X 2.2 L=135MM SILCKSCREENED	5430504	S 1415
06	GLASS LEVEL BOTTOM FITTING OT	5302506	S 1420
07	SCREW TE M6X8 UNI 5739 8.8	7806405ZN	F 829
08	PLAIN WASHER D6 UNI 6592 FEZN	7805004	-
09	GLASS LEVEL UPPER FITTING OT	5302507	S 1411
10	GLASS-LEVEL GASKET RUBBER	5493026	S 1412
11	GASKET-PRESS D18 X 11 X 3	5224802	S 1413
12	NUT 1/2" G HOLE D12.7 OT	5221828	F 621



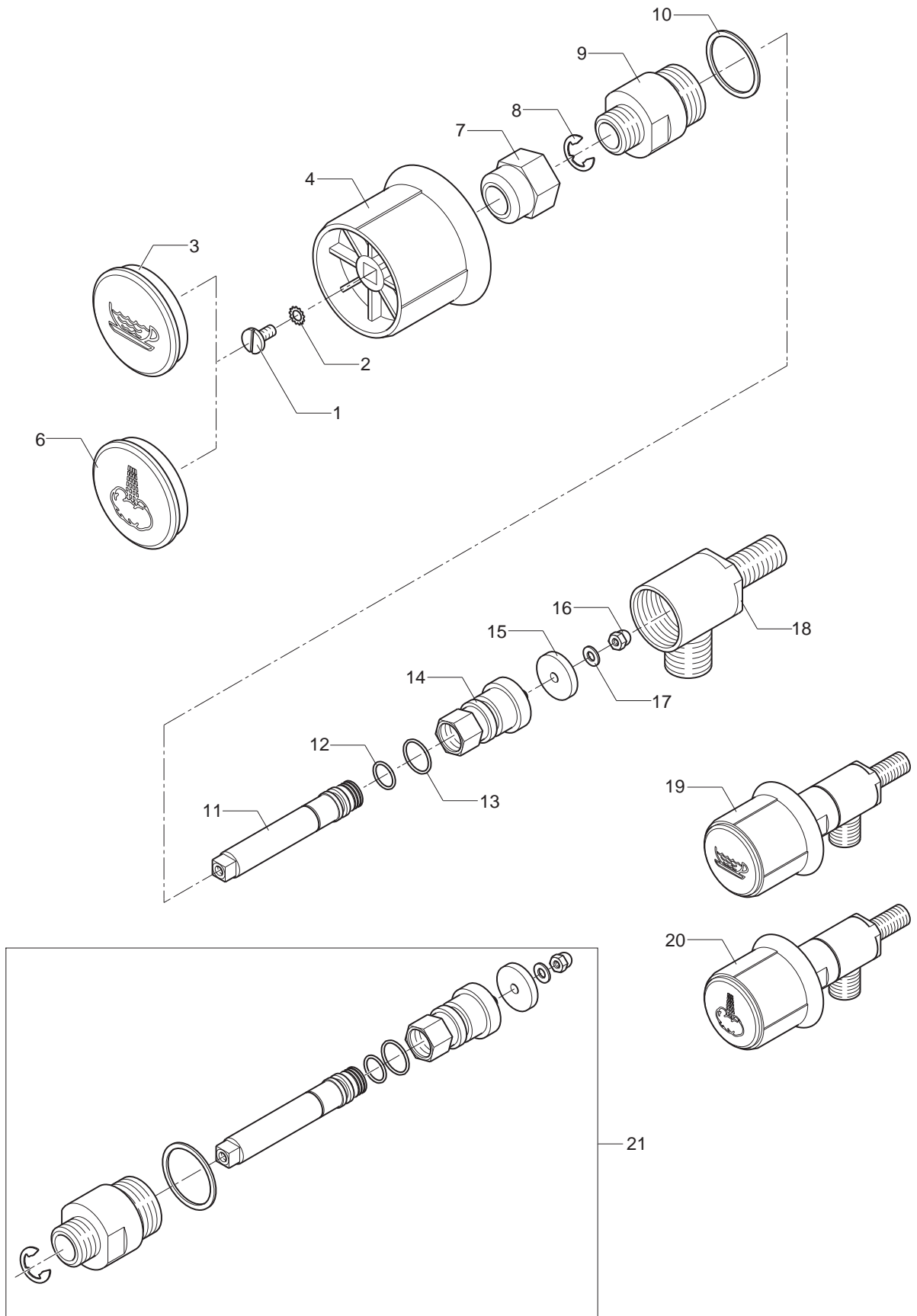


POS	DESCRIPTION	CODE	REFERENCE
01	SPRING D14 AISI 302.....	5471504.....	O/6 2500
02	OR GASKET 112 EPDM 70SH.....	7496076.....	-
03	GASKET-HOLDER D14.7 X 10.5 OT.....	5224605.....	O/6 2502
04	GASKET D16X6X6 PTFE GRAPHITIZED.....	5494002.....	O/6 2503
05	RING NUT M18.....	5222801.....	O/1 1251G
07	COMPLETE HOSE STAINLESS STEEL.....	7479928.....	-
10	ASSEMBLY COMPLETE STEAM HOSE.....	5966502.01.....	O/16 2541V



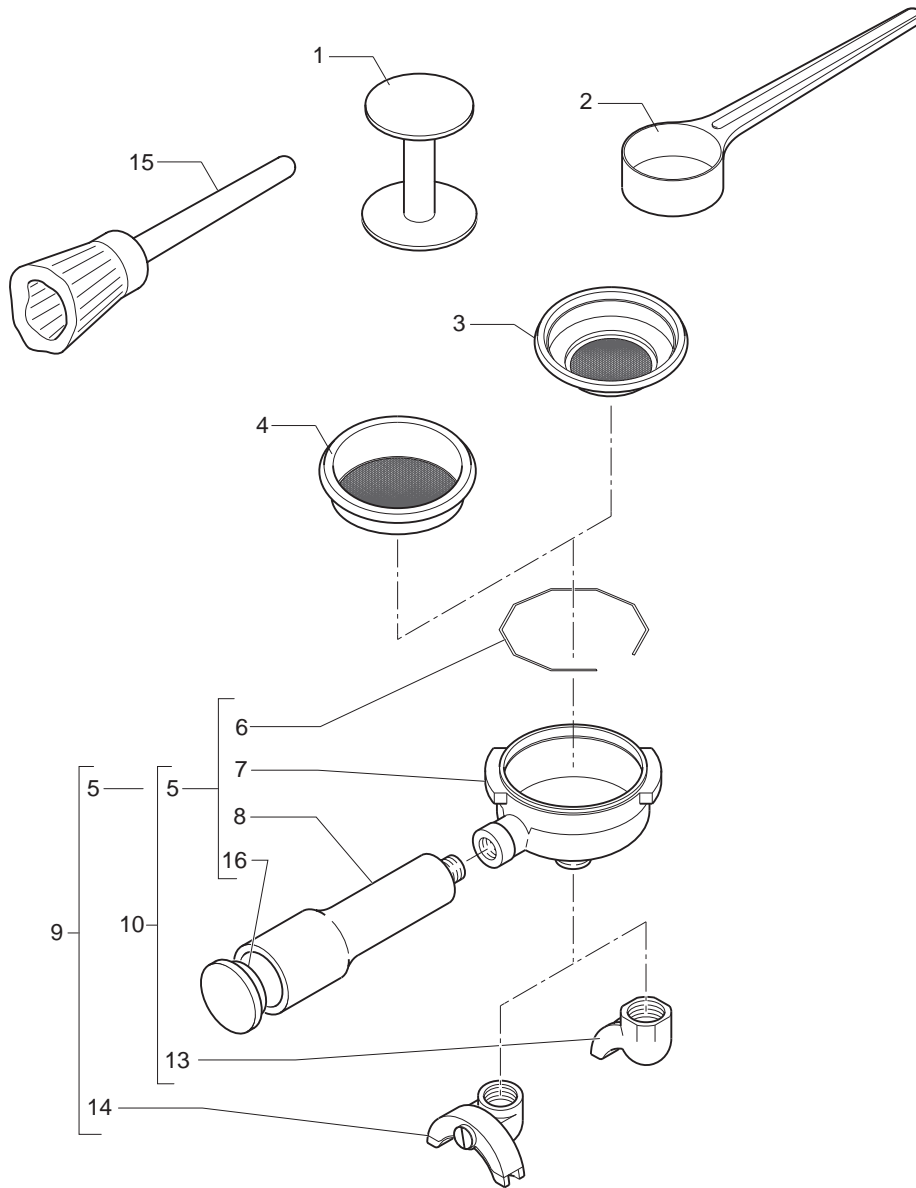


POS	DESCRIPTION	CODE	REFERENCE
01	SCREW TCI M5X10 UNI 6107 OT.....	7826202.....	F 794A
02	FAN WASHER D6 DIN 6798A.....	7804002.....	F 736
03	WATER PLUG.....	5373906.....	M/5 2436
04	KNOB D48.....	5371803.....	-
06	STEAM PLUG.....	5373905.....	M/5 2435
07	NUT 3/8"G OT NICKEL-PLATED.....	5221804NC.....	M/5 2424
08	RING D7 UNI 7434 A2.....	7810601.....	M/5 2425
09	FOR MACHINES BUILT UNTIL 21/02/05 SEE POSN. 21		
09	NUT SCREW (FROM 22/02/05).....	5223402.....	-
10	GASKET D28 X 1 COPPER.....	5495001.....	M/5 2434
11	FOR MACHINES BUILT UNTIL 21/02/05 SEE POSN. 21		
11	ROD (FROM 22/02/05).....	5220413.....	-
12	OR GASKET 108 VITON (UP TO 21/02/05).....	7496003.....	M/5 2428
12	FOR MACHINES BUILT UNTIL 21/02/05 SEE POSN. 21		
13	OR GASKET 115 VITON.....	7496002.....	M/5 2430
14	GASKET-HOLDER WITH DOWEL M4 X 16 (UP TO 21/02/05).....	5970504.....	M/5 2429C
14	GASKET-HOLDER WITH DOWEL (FROM 22/02/05.....	5970504.01.....	-
15	TAP GASKET EPT 70SH.....	5493023.....	M/5 2431EP
16	CAP NUT M4 OT.....	7822201.....	D/B 528
17	PLAIN WASHER D8 X 4 X 0.8 OT.....	7825001.....	F 1218
18	TAP BODY OT.....	5283002LL.....	M/5 2433 SVAS
19	ASSEMBLY WATER TAP.....	5974006.01.....	-
20	ASSEMBLY STEAM TAP.....	5974005.01.....	-
21	TAP KIT FOR MACHINES BUILT UNTIL 21/02/05.....	5976523.....	-

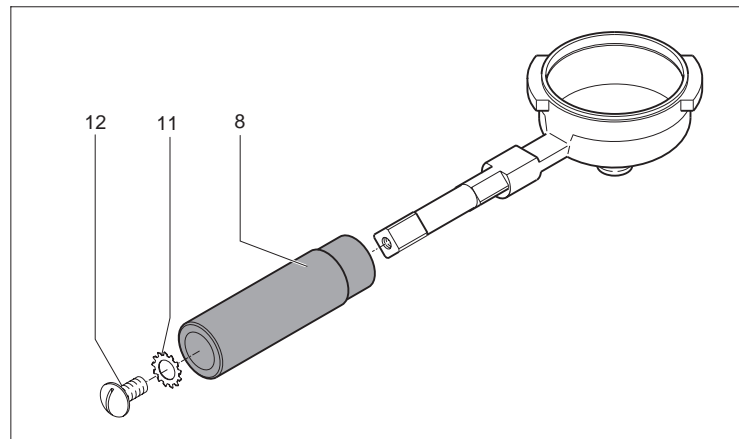




POS	DESCRIPTION	CODE	REFERENCE
01	COFFEE-PRESS ABS	5373001	H 862
02	MEASURER ABS.....	5372101	H 861
03	FILTER 1 CUP 6 GRAMS	5471004.....	H 856
04	FILTER 2 CUPS 12 GRAMS AISI 304	5471005.....	H 867
04	FILTER 2 CUPS 14 GRAMS AISI 304	5471016.....	H 853
05	ASSEMBLY FILTER-HOLDER WITHOUT SPOUT	5965538.....	-
06	SHAPED SPRING D1.4 AISI 302	5471507.....	H 817
07	FILTER-HOLDER (NEW)	5286011CM	-
08	KNOB D27 X 101 (OLD)	7371501.....	H 813
08	FILTER-HOLDER KNOB (NEW)	7371502.....	H 839
09	ASSEMBLY FILTER-HOLDER 2 CUPS	5965539.....	-
10	ASSEMBLY FILTER-HOLDER 1 CUP.....	5965540.....	-
11	FAN WASHER D10 DIN 6798A A2 (OLD).....	7814003.....	H 812
12	SCREW M8 (OLD)	5227003NE.....	H 811
13	SPOUT 1 WAY	7305002.....	H 829
14	SPOUT 2 WAY	7305003.....	H 815
15	CLEANING BRUSH	7990603.....	-
16	PLUG (NEW).....	5373915.....	-

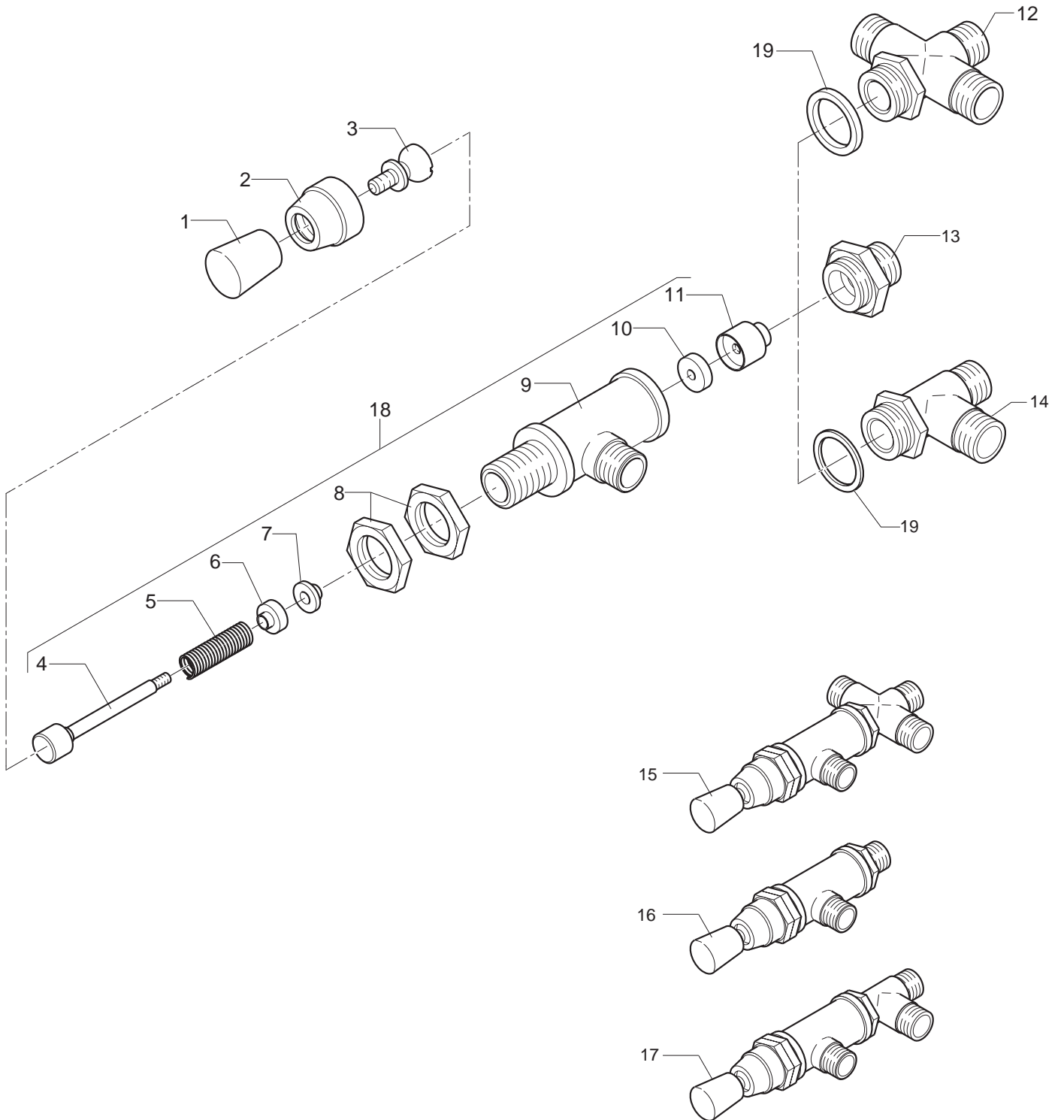


OLD



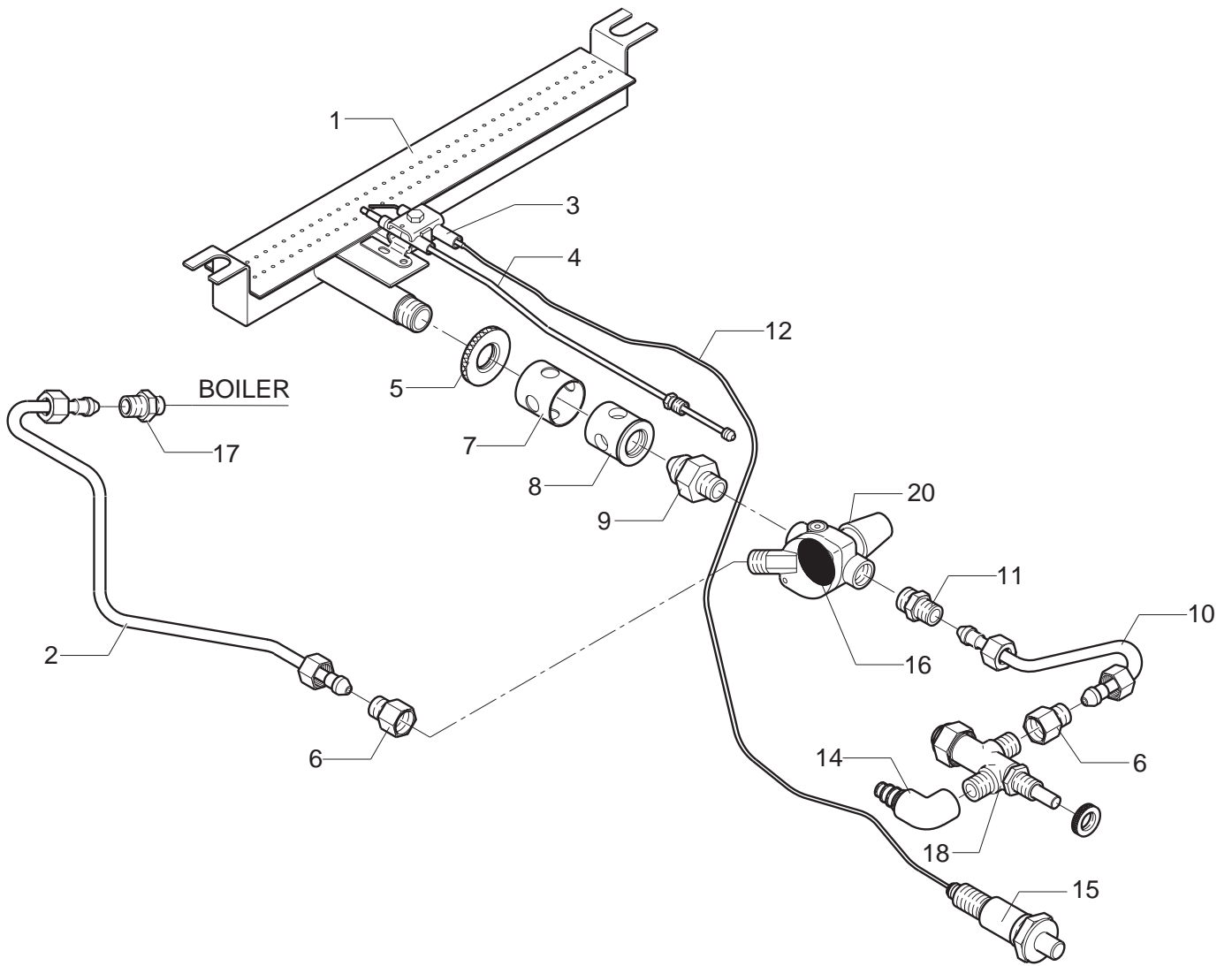


POS	DESCRIPTION	CODE	REFERENCE
01	KNOB M6	7473603.....	-
02	RING NUT M18 OT CHROMED.....	5222813CM	L 1128
03	ARTICULATION D14 X 24.5 X M6 AISI 303	5265601	L 1127
04	SHAFT D12 X 65 AISI 303.....	5260202.....	L 1125
05	SPRING D9.5 H34.5 AISI 302	5471512.....	L 1123
06	BUSHING D12 X 7 OT	5220603.....	L 1122
07	GASKET D12 X 6 PTFE GRAPHITIZED	5494004.....	L 1121
08	NUT M18 ES.26 H5 OT.....	5221833.....	L 1119
09	PUMP BODY OT	5283019.....	L 1118
10	GASKET D14 X 4 X 4 NBR 70SH.....	5493013.....	L 1117
11	GASKET-HOLDER D15 X 16.5 OT	5224607.....	L 1116
12	FITTING 4 WAY 3/8"G OT (PM-TE-TP).....	5302502.....	L 1114C
13	FITTING 3/8"G	5225241.....	L 1113B
14	FITTING 3 WAY 3/8"G.....	5302508.....	L 1112A
15	ASSEMBLY PUMP 3 WAY COMPLETE.....	5964054.....	L 1130C
16	ASSEMBLY PUMP 1 WAY COMPLETE.....	5964055.....	L 1130B
17	ASSEMBLY PUMP 2 WAY COMPLETE.....	5964056.....	L 1130A
18	ASSEMBLY PUMP	5964058.....	L 1130
19	COPPER GASKET 20 X 26 X 3.....	5495006.....	-





POS	DESCRIPTION	CODE	REFERENCE
01	ASSEMBLY BURNER 1GR LEVER	5345559.....	T 1460E
01	ASSEMBLY BURNER 2GR LEVER	5345558.....	T 1461E
01	ASSEMBLY BURNER 3GR LEVER	5345556.....	-
01	ASSEMBLY BURNER 4GR LEVER	5345560.....	-
02	COMPLETE BOILER-REGULATOR HOSE 1GR LEVER.....	5162088LL.....	06.16.00.800
02	COMPLETE BOILER-REGULATOR HOSE 2GR LEVER.....	5162089LL.....	06.16.00.002
02	COMPLETE BOILER-REGULATOR HOSE 3-4GR LEVER.....	5162090LL.....	06.16.00.003
03	CANDLE.....	7400301.....	T/6 1511
04	THERMOCOUPLE.....	7403001.....	T/6 1517
05	RING NUT 3/8"G H4 OT	5222808.....	T 1459
06	REDUCTION GEAR 1/4"G X M12 ES.16 H22 OT	5302029.....	F 766
07	EXTERNAL INTAKE AIR PASSAGE D28 X 25.5	5220602.....	T 1458
08	INTERNAL INTAKE AIR PASSAGE D26 X 27 OT	5220601.....	T 1457
09	JET 1/4"G H32 OT	5223009.....	T 1465
10	REGULATOR-COMPLETE JET HOSE 1GR LEVER.....	5162091LL.....	06.16.00.155
10	REGULATOR-COMPLETE JET HOSE 2GR LEVER.....	5162092LL.....	06.16.00.007
10	REGULATOR-COMPLETE JET HOSE 3-4GR LEVER	5162093LL.....	06.16.00.001
11	STRAIGHT FITTING M12 X 1/4"G H24 OT	5302009.....	F 1031
12	ELECTRIC CABLE.....	7401205.....	T/6 1512
14	RUBBER-HOLDER 1/4" D12 OT.....	5224405.....	T 1475
15	PIEZO IGNITION WITH NUT	7400302.....	T/6 1513
16	REGULATOR MEMBRANE.....	7493007.....	T 1466
17	STRAIGHT FITTING M12 X M10 OT	5302010.....	F 683
18	VALVE M1 WITH RING NUT	5965085.....	-
20	GAS RG10 REGULATOR	7402410.....	T 1454

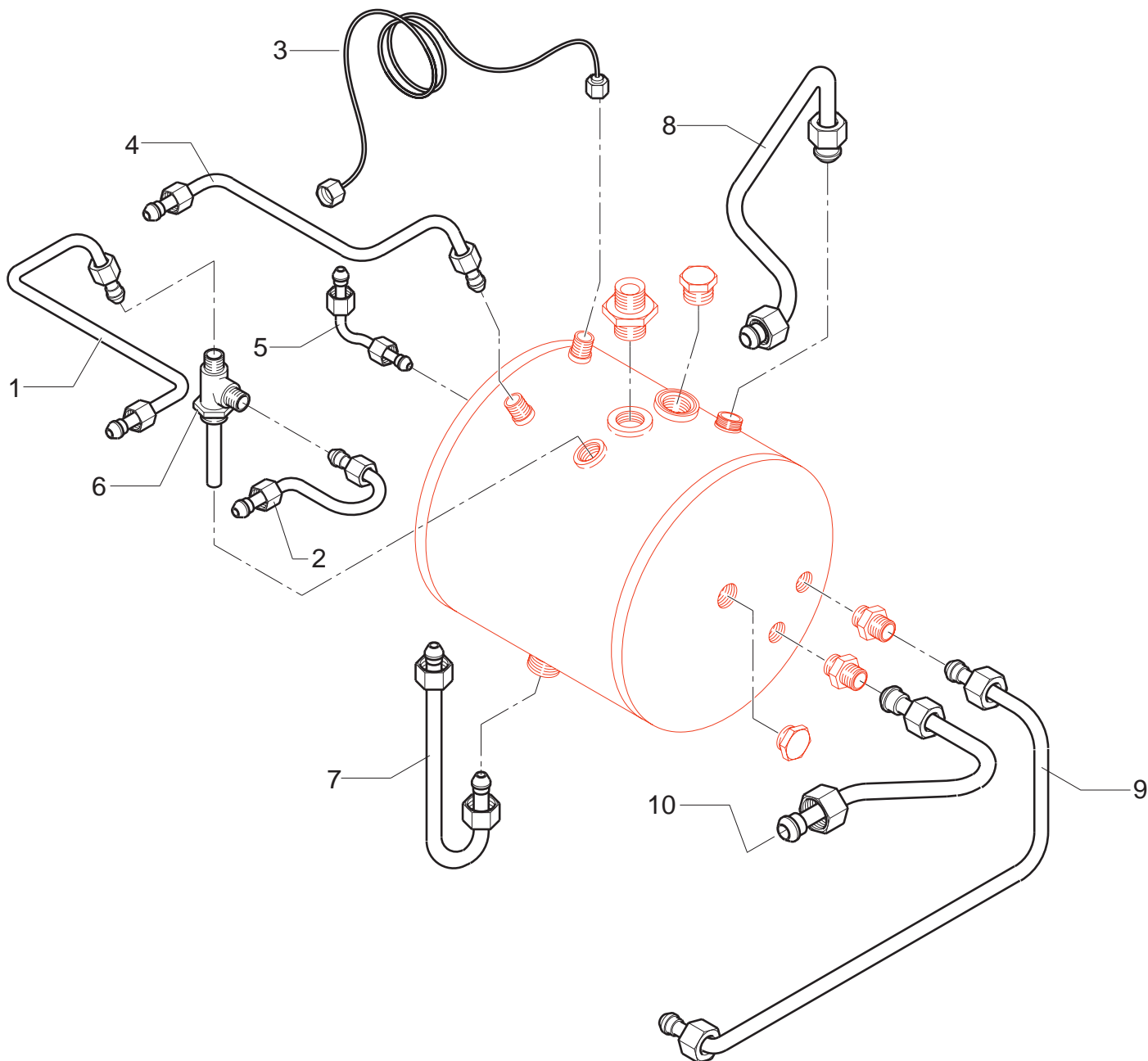




BEZZERA
dal 1901

1 Gr.hose series

POS	DESCRIPTION	CODE	REFERENCE
01	WATER TAP HOSE	5163059LL.....	06.16.00.232
02	HEATING HOSE.....	5163060LL.....	06.16.00.250
03	PRESSURE GAUGE CAPILLARY FOR LEVER-OPERATED MACHINES	7400901LL.....	-
04	STEAM TAP HOSE	5163061LL.....	06.16.00.257
05	PRESSOSTAT HOSE.....	5162058LL.....	06.16.00.024
06	SUCTION HOSE 3 WAY	5164029LL.....	06.16.00.804
07	CIRCULATION HOSE	5164030LL.....	06.16.00.115
08	UPPER LEVEL HOSE	5164031LL.....	06.16.00.153
09	INLET LOAD BOILER HOSE.....	5164032LL.....	06.16.00.141
10	BOTTOM LEVEL HOSE.....	5164033LL.....	06.16.00.151

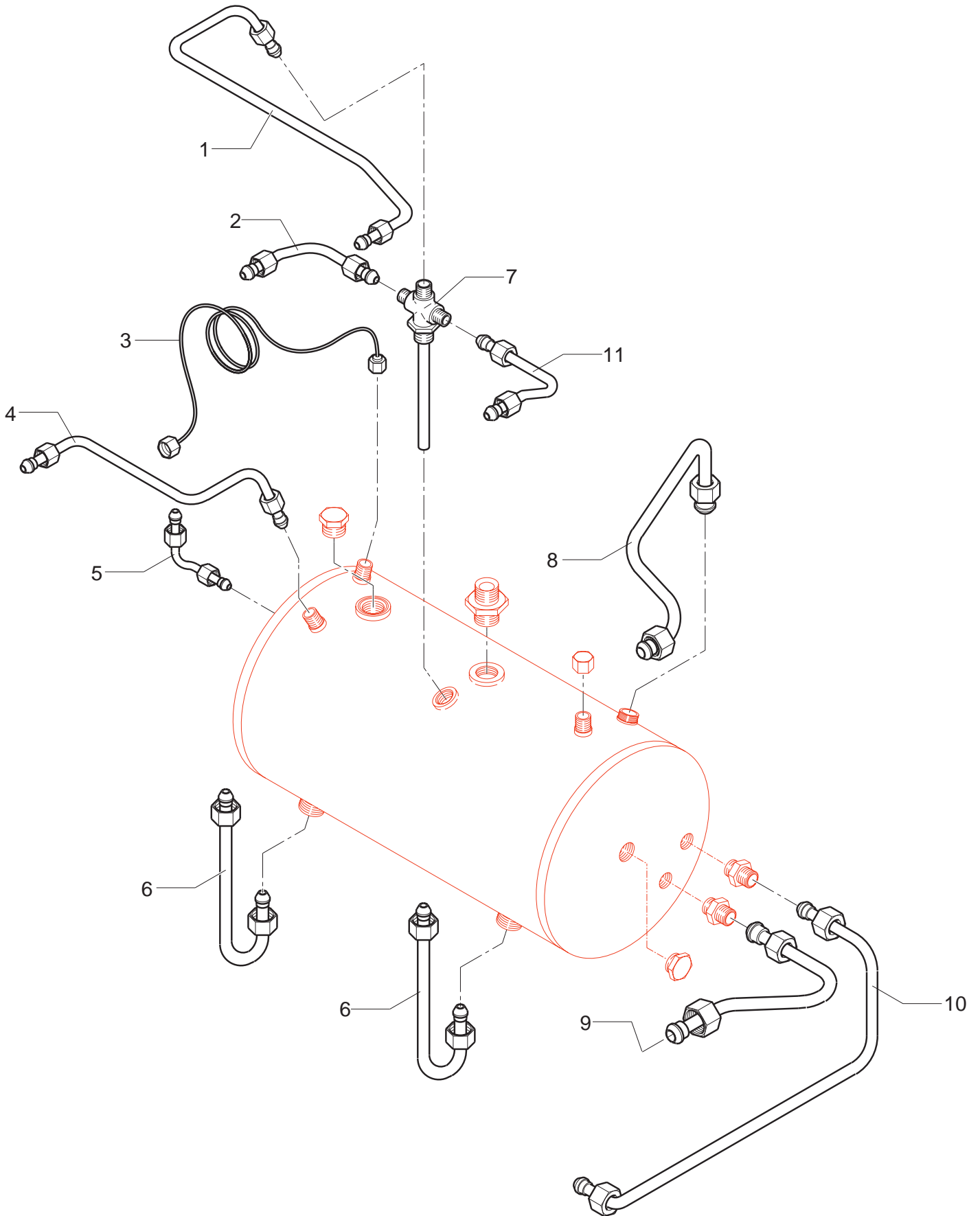




BEZZERA
dal 1901

2 Gr.hose series

POS	DESCRIPTION	CODE	REFERENCE
01	RIGHT WATER TAP HOSE	5163062LL.....	06.16.00.288
02	UPPER LEFT HEATING HOSE	5163063LL.....	06.16.00.126
03	PRESSURE GAUGE CAPILLARY FOR LEVER-OPERATED MACHINES	7400901LL.....	-
04	STEAM TAP HOSE	5163064LL.....	06.16.00.270
05	PRESSOSTAT HOSE	5162058LL.....	06.16.00.024
06	CIRCULATION HOSE	5164030LL.....	06.16.00.115
07	COMPLETE WATER SUCTION HOSE L=120MM.....	5301003LL.....	-
08	UPPER LEVEL HOSE	5164031LL.....	06.16.00.153
09	BOTTOM LEVEL HOSE.....	5164033LL.....	06.16.00.151
10	INLET LOAD BOILER HOSE	5164032LL.....	06.16.00.141
11	RIGHT HEATING HOSE	5163065LL.....	06.16.00.183

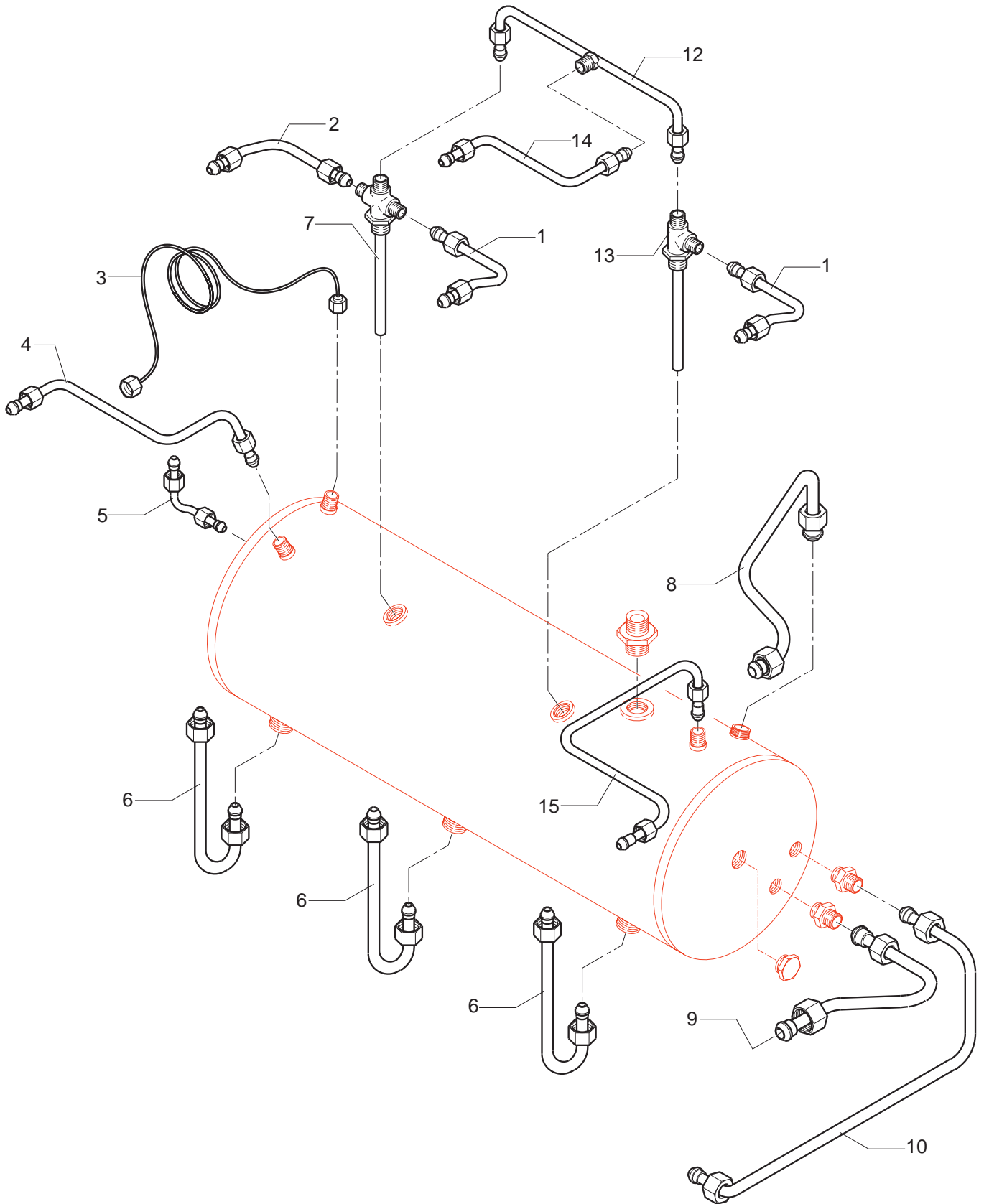




BEZZERA
dal 1901

3 Gr.hose series

POS	DESCRIPTION	CODE	REFERENCE
01	RIGHT HEATING HOSE	5163065LL.....	06.16.00.183
02	UPPER LEFT HEATING HOSE	5163063LL.....	06.16.00.126
03	PRESSURE GAUGE CAPILLARY FOR LEVER-OPERATED MACHINES	7400901LL.....	-
04	LEFT STEAM TAP HOSE.....	5163091LL.....	06.16.00.265
05	PRESSOSTAT HOSE	5162058LL.....	06.16.00.024
06	CIRCULATION HOSE	5164030LL.....	06.16.00.115
07	COMPLETE WATER SUCTION HOSE L=120MM.....	5301003LL.....	-
08	UPPER LEVEL HOSE	5164031LL.....	06.16.00.153
09	BOTTOM LEVEL HOSE	5164033LL.....	06.16.00.151
10	INLET LOAD BOILER HOSE	5164032LL.....	06.16.00.141
12	BY-PASS HEATING HOSE	5163092LL.....	06.16.00.201
13	SUCTION HOSE 3 WAY	5164029LL.....	06.16.00.804
14	WATER TAP HOSE	5163093LL.....	06.16.00.287
15	RIGHT STEAM TAP HOSE	5163090LL.....	06.16.00.255

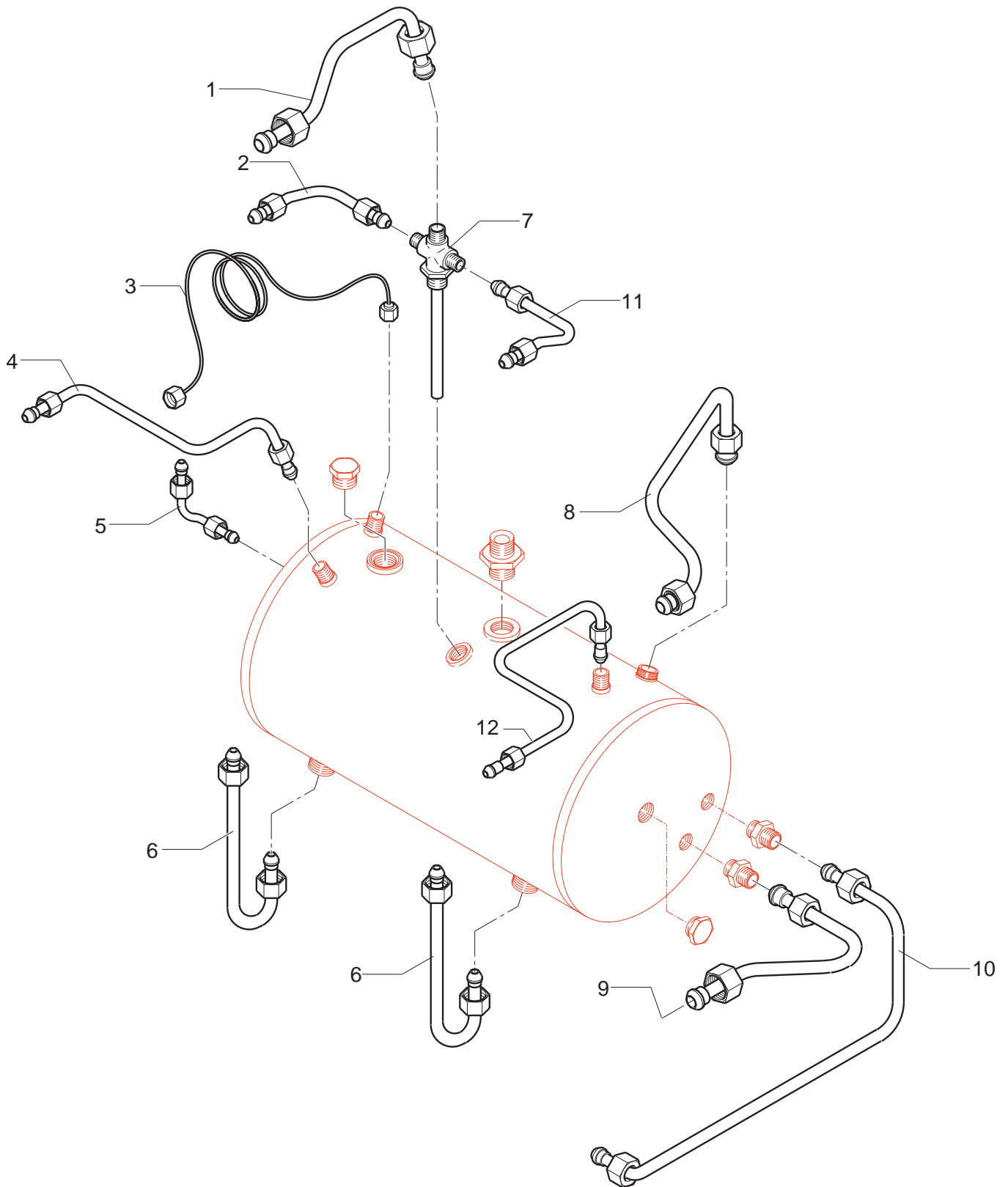




BEZZERA
dal 1901

2 Gr. hose series - 3° drink

POS	DESCRIPTION	CODE	REFERENCE
01	CENTRAL WATER TAP HOSE.....	5163089LL.....	06.16.00.273
02	UPPER LEFT HEATING HOSE	5163063LL.....	06.16.00.126
03	PRESSURE GAUGE CAPILLARY FOR LEVER-OPERATED MACHINES	7400901LL.....	-
04	STEAM TAP HOSE	5163064LL.....	06.16.00.270
05	PRESSOSTAT HOSE	5162058LL.....	06.16.00.024
06	CIRCULATION HOSE	5164030LL.....	06.16.00.115
07	COMPLETE WATER SUCTION HOSE L=120MM.....	5301003LL.....	-
08	UPPER LEVEL HOSE	5164031LL.....	06.16.00.153
09	BOTTOM LEVEL HOSE	5164033LL.....	06.16.00.151
10	INLET LOAD BOILER HOSE	5164032LL.....	06.16.00.141
11	RIGHT HEATING HOSE	5163065LL.....	06.16.00.183
12	RIGHT STEAM TAP HOSE	5163090LL.....	06.16.00.255





POS	DESCRIPTION	CODE	REFERENCE
01	RIGHT STEAM TAP HOSE	5163090LL.....	06.16.00.255
02	UPPER LEFT HEATING HOSE	5163063LL.....	06.16.00.126
03	PRESSURE GAUGE CAPILLARY FOR LEVER-OPERATED MACHINES	7400901LL.....	-
04	LEFT STEAM TAP HOSE.....	5163091LL.....	06.16.00.265
05	PRESSOSTAT HOSE	5162058LL.....	06.16.00.024
06	CIRCULATION HOSE	5164030LL.....	06.16.00.115
07	COMPLETE WATER SUCTION HOSE L=120MM.....	5301003LL.....	-
08	UPPER LEVEL HOSE	5164031LL.....	06.16.00.153
09	BOTTOM LEVEL HOSE	5164033LL.....	06.16.00.151
10	INLET LOAD BOILER HOSE	5164032LL.....	06.16.00.141
11	RIGHT HEATING HOSE	5163065LL.....	06.16.00.183
12	BY-PASS HEATING HOSE	5163095LL.....	06.16.00.713
13	WATER TAP HOSE	5163094LL.....	06.16.00.714

